

Silencers of type CompaC are designed to meet the demand for a reasonable silencer having minimal dimensions. This silencer is used in exhaust systems of 2 and 4 stroke internal combustion engines with less critical noise requirements, as a "space saver".

It is based on a combination of the reflection and absorption principles, it has a fair noise reduction across the entire frequency range.

These silencers are applied to all types of internal combustion engines with minimal space for the exhaust system. As type CompaC-C, this silencer is also available with an integrated spark arrestor tested according to PTB directives and certified by DNV, GL and others. This type of silencer is usually available from stock.

Mounting

These silencers may be mounted in any position, considering of course the indicated direction of flow. The spark collector of the CompaC-C must be placed underneath the horizontal axis. By use of our supports and mounting brackets easy fitting of the silencers is possible.

Note!

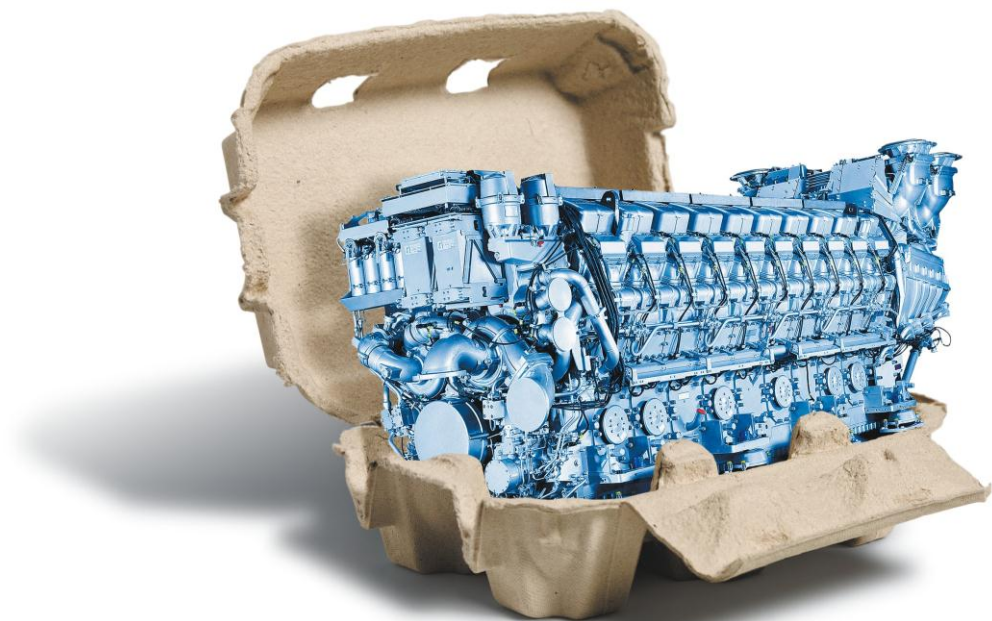
Exhaust systems of internal combustion engines are subject to pulsations and other vibration phenomena, therefore it is recommended to mount the entire exhaust system free from such vibrations by applying suitable vibration isolators. As we are exhaust system specialists, we of course can provide a complete program of vibration absorbers and expert advice by our engineers.

Quality and safety

Our manufacturing process from design to delivery is in conformity with the ISO 9001:2000 standard, for which we have been certified. Our silencers are built-in components, therefore no CE marking applies. However in the description of your final product you will have to indicate any potential dangers, for example risk of burns. Therefore we have put a label on your silencer in advance.

Note!

Silencers of type CompaC-C are supplied with a spark arrestor. For proper operation, regular cleaning is necessary.



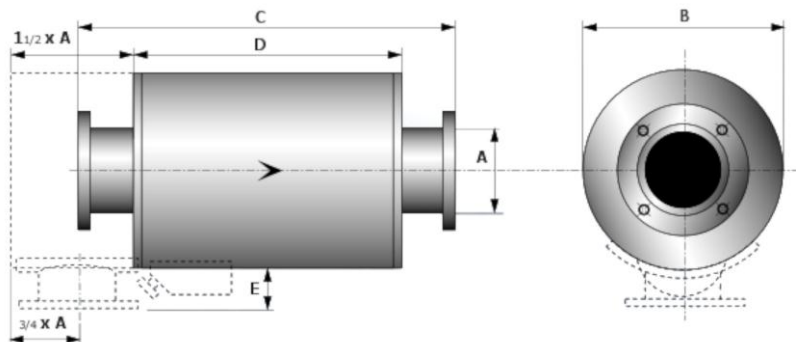
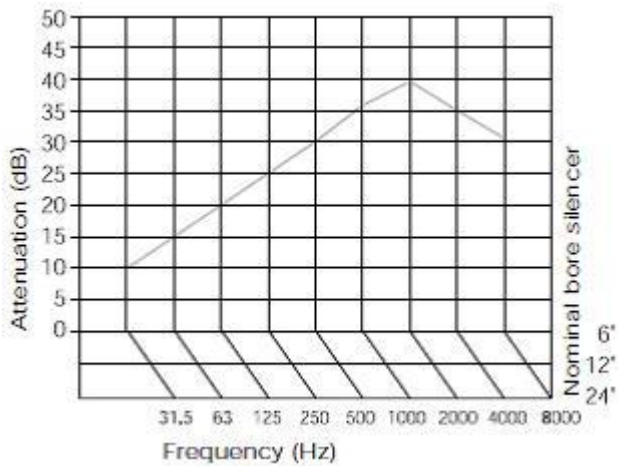
Technical specifications

Attenuation	15 - 25 dB
Recommended designed gas flow	min. 20 and max. 50 m/s
Pressure drop silencer	see CW-values in the following chart
Maximum allowable gas temperature	600°C: applies to S 235 JR G2. For other temperatures / materials please ask for our advice.
Material	S 235 JR G2; Stainless-steel, Corten or others are optional
Preservation	anticorrosive heat-resistant coating (gray): for other paint systems please ask for our advice.
Insulation in	as the body virtually will take the temperature of the medium, many cases lagging will be necessary. Additional insulation may be needed when noise breakout of the body is a decisive factor for achieving the noise demand.
Flanges	drilled according to DIN 2573 PN6. Other flange models on request
Identification	plate with silencer type and order number
Maintenance	regular cleaning of spark arrestor
Options	radially placed inlet and/or exhaust, mounting brackets

Dimensions

NB (nominal bore)	A (mm) outer pipe diameter	B (mm)	C (mm)	D (mm)	E (mm)	weight (kg)	CW	
50	2"	60,3	206	300	215	75	8	4,10
65	2½"	76,2	306	420	320	75	17	3,98
80	3"	88,9	306	420	320	75	18	3,84
100	4"	114,3	356	540	390	100	27	3,69
125	5"	139,7	401	650	525	100	44	3,71
150	6"	168,3	482	750	606	100	70	3,38
200	8"	219,1	556	900	756	150	96	3,64
250	10"	273,0	708	1000	856	150	215	3,52
300	12"	323,9	800	1200	1006	150	218	3,79
350	14"	355,6	908	1500	1256	150	303	3,45
400	16"	406,4	1060	1600	1408	150	433	3,95
450	18"	457,2	1212	1700	1510	150	668	4,39
500	20"	508,0	1312	2000	1810	150	843	3,79

For standard dimensions see above chart; larger or other dimensions available on request



Solutions for noise, emission and heat